

# Throttle check valve

## Type SD700/SDRV700

NG 6 / 700 bar  
up to 25 l/min

### Features

- Adjustable while under pressure
- High-precision control
- Bi-directional flow



### Design

- Cartridge alone or in manifolds
- The valve setting can be locked by a counter nut

### Applications

- Moving speed of the customer can be influenced with the valves
- Throttle valves for inlet and outlet throttling
- Throttle check valves as screw-in cartridge or intermediate plate valve (for applications where the flow shall be throttled in one direction and be unthrottled in the other direction)
- Check valves as screw-in cartridge or intermediate plate valve



### Technical data

Hydraulic fluid	Mineral oil according to DIN 51524 (other fluids on request)	
Fluid temperature range	-20 to 80 °C	
Ambient temperature range	-30 to 50 °C	
Viscosity range	5 to 400 mm <sup>2</sup> /s	
Porting	NG 6 according to DIN 24340 / ISO 4401:2005 / CETOP RP 121 H	
Max. operating pressure port P, A and B	700 bar	
Max. operating pressure port T	350 bar	
Max. flow rate	25 l/min	
Filtration (recommendation)	According to NAS 1638, class 6 resp. ISO/DIN 4406 class 17/15/12	
Weight	See type table	
Materials	Steel parts:	galvanized, black chromated
	Cartridge:	steel
	Supporting ring:	cast iron

## Key sheet

Example	SDRV	700	-	6	-	AABB	-	Z	-	V	-	A		00
<b>Throttle valve</b>	SD													
<b>Throttle check valve</b>	SDRV													
<b>Type</b>	BV700													
<b>Port size</b>	6													
<b>Throttle valve SD</b> <b>E</b> Cartridge <b>PP</b> Throttle valve in P <b>AA</b> Throttle valve in A <b>BB</b> Throttle valve in B  <b>Throttle check valve SDRV</b> <b>AA</b> Throttle check valve in A <b>BB</b> Throttle check valve in B <b>AABB</b> Throttle check valve in A and B														
<b>Direction of throttling</b> <b>X</b> For throttle valve <b>Z</b> Outgoing throttling <b>A</b> Return throttling														
<b>Seal material</b> V [FPM] other seal materials on request														
<b>Special design</b> 01 ... 99 (00 for standard)														
<b>Part index</b> Please leave blank (small letters a-d; different letters do not effect interchangeability)														
<b>Desing revision</b> Capital letters A-Z; identical letters equal same connecting dimensions														

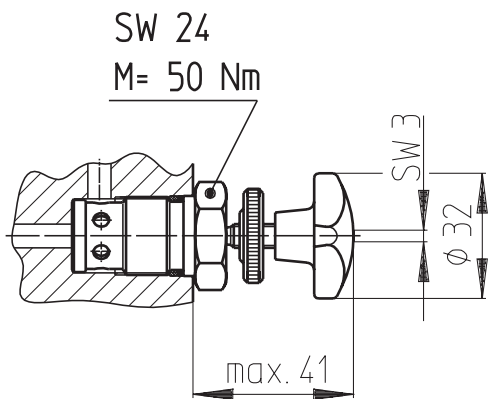
## Cartridge throttle valve

Type code	Part No.	Weight [kg]
SD700-6-E-X-V-A*00	3677847	0,12

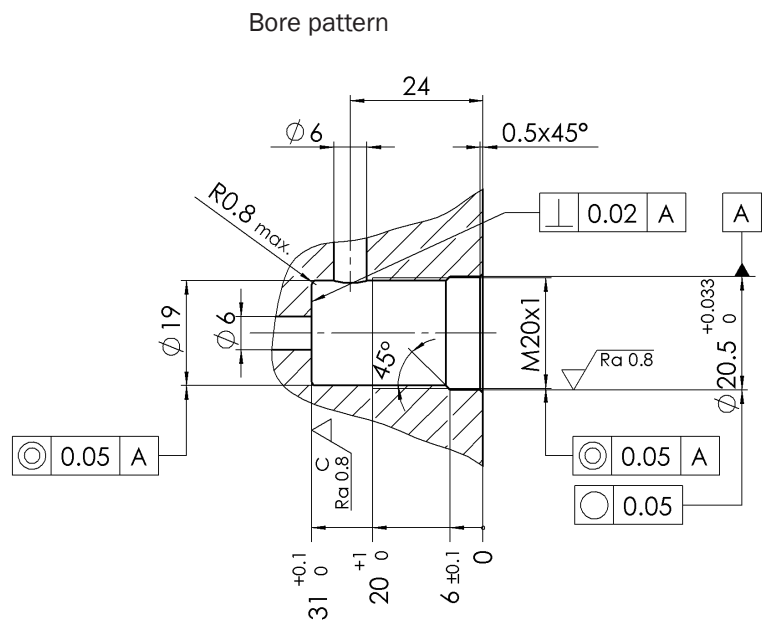
### Hydraulic schematic



### Dimensional drawing



### Bore dimensions



## Cartridge check valve

See documentation ZP700/BL700/RV700

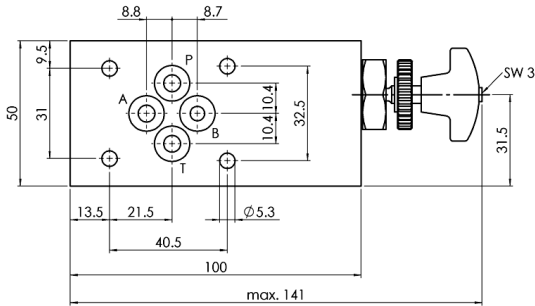
**Type SD700 / SDRV700**

NG 6 / 700 bar  
up to 25/min

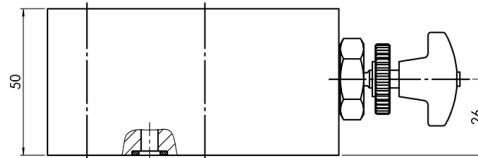
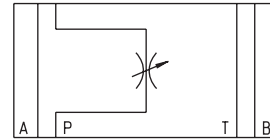
**Throttle valves**

Type code	Part No.	Weight [kg]
SD700-6-PP-X-V-A*00	3677849	1,9

**Dimensional drawing**

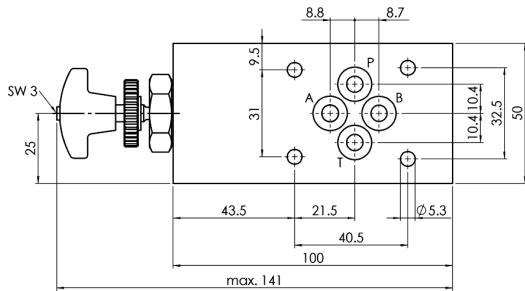


**Hydraulic schematic**

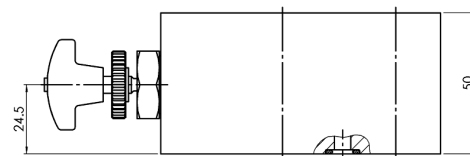
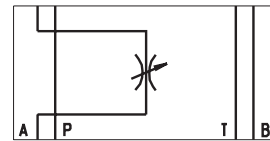


Type code	Part No.	Weight [kg]
SD700-6-AA-X-V-A*00	3677843	1,9

**Dimensional drawing**

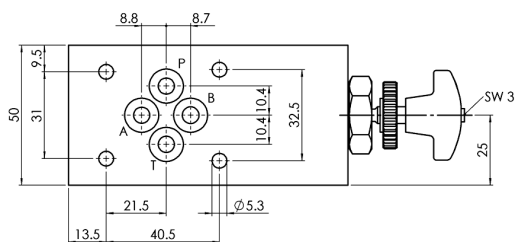


**Hydraulic schematic**

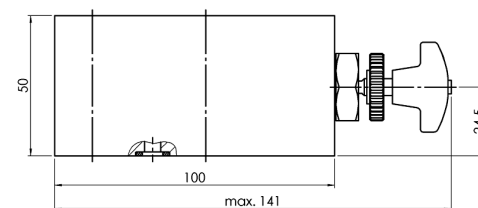
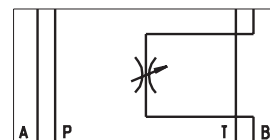


Type code	Part No.	Weight [kg]
SD700-6-BB-X-V-A*00	3677845	1,9

**Dimensional drawing**



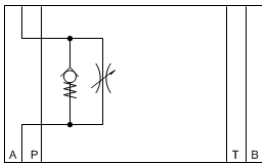
**Hydraulic schematic**



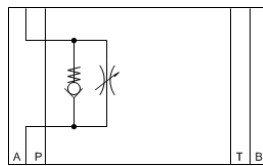
## Throttle check valves

Type code	Part No.	Weight [kg]
SDRV700-6-AA-A-V-A*00	3677850	1,9
SDRV700-6-AA-Z-V-A*00	4457370	1,9

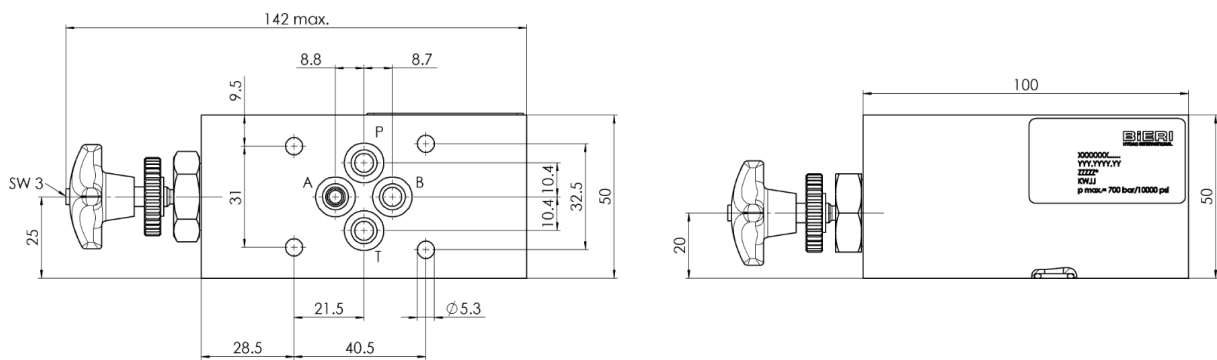
### Hydraulic schematic A (Return throttling)



### Hydraulic schematic Z (Outgoing throttling)



### Dimensional drawing

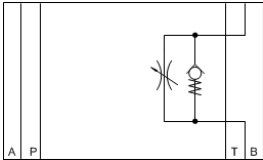


Type SD700 / SDRV700

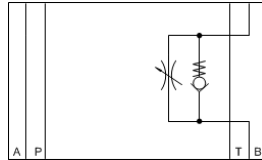
NG 6 / 700 bar  
up to 25/min

Type code	Part No.	Weight [kg]
SDRV700-6-BB-A-V-A*00	3677853	1,9
SDRV700-6-BB-Z-V-A*00	4003009	1,9

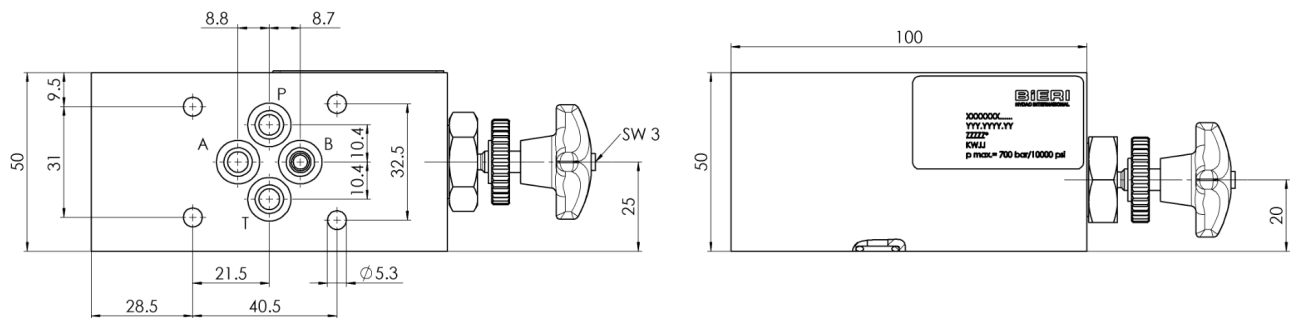
Hydraulic schematic A (Return throttling)



Hydraulic schematic Z (Outgoing throttling)

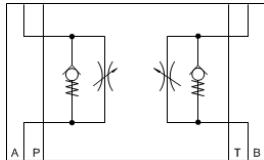


Dimensional drawing

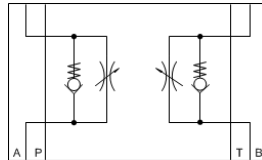


Type code	Part No.	Weight [kg]
SDRV700-6-AABB-A-V-A*00	4003013	1,9
SDRV700-6-AABB-Z-V-A*00	3823668	1,9

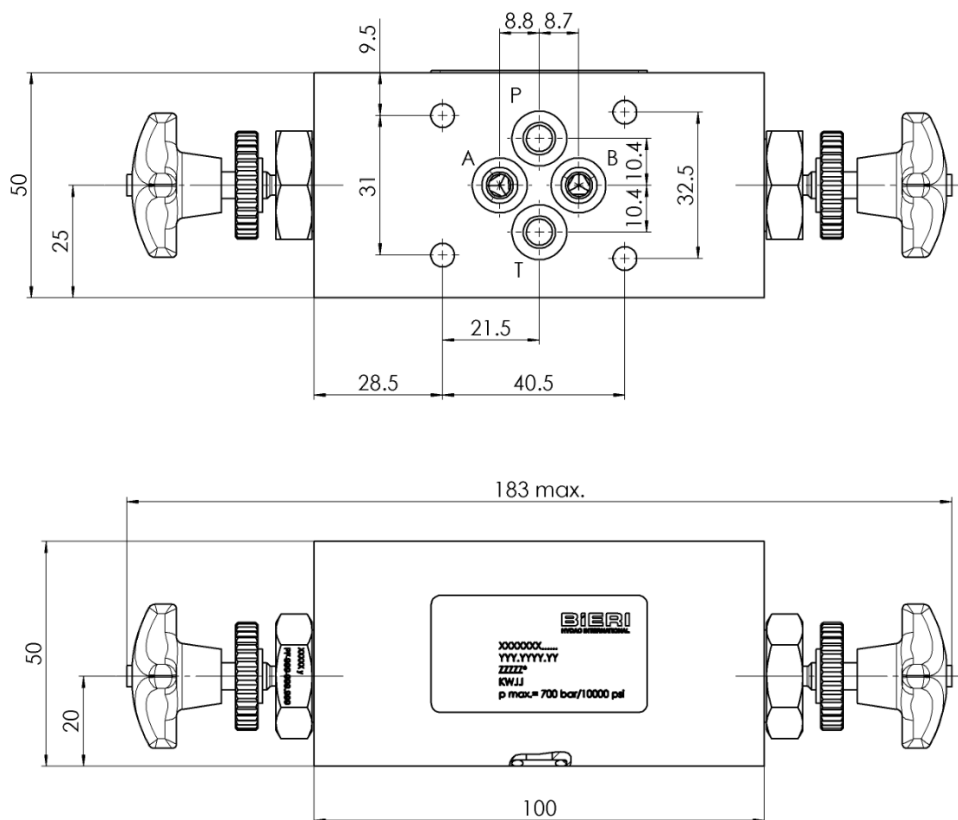
Hydraulic schematic A (Return throttling)



Hydraulic schematic Z (Outgoing throttling)



Dimensional drawing



**Characteristics**  $\Delta p(Q)$

