

# Shut-off valve 500

## Type AVM

NG 4  
up to 25 l/min

### Features

- Bi-directional flow
- Leakage free



### Design

- Seated valve
- Cartridge alone or in manifolds

### Applications

The shut-off valve AVM is a part of the 500+ series. It is a directly and manually operated seated valve. It opens and closes a hydraulic line at any pressure difference up to 700 bar. It also can be used as discharging valve to the tank.



### Technical data

Hydraulic fluid	mineral oil according to DIN 51524 (other fluids on request)	
Fluid temperature range	-20 to 80 °C	
Ambient temperature range	-30 to 50 °C	
Viscosity range	5 to 400 mm <sup>2</sup> /s	
Porting	NG 4	
Max. operating pressure port 1	700 bar	
Max. operating pressure port 2	700 bar	
Max. flow rate	25 l/min	
Pressure loss	at 12 l/min (fully open) and 32 mm <sup>2</sup> /s: 6 bar at 25 l/min (fully open) and 32 mm <sup>2</sup> /s: 19 bar	
Filtration (recommendation)	according to NAS 1638, class 6 or ISO 4406 17/15/12	
Weight	0,12 kg (cartridge)	
Material/surface treatment	Cartridge body:	high tensile corrosion-free steel
	Supporting ring:	PTSM
	Handle:	steel

**Type AVM**

NG 4  
up to 25 l/min

**Ordering code**

<b>Example</b>	<b>AV</b>	<b>M</b>	<b>4B</b>	<b>EE</b>	<b>S</b>	<b>V</b>	<b>A</b>	<b>00</b>
<b>Shutt-off valve</b>								
<b>Type</b>	500+							
<b>Nominal size</b>	4							
<b>Cartridge</b>	...E							
<b>Connection Bieri</b>	...B							
<b>In-line body</b>	...R							
<b>Design</b>								
<b>X</b>	cartridge							
<b>EE</b>	in the endplate for valve bank with 2 ports G1/4 (e.g. manometer and pressure switch)							
<b>G3/8</b>	in-line mounting manifold with G3/8							
<b>Cartridge model</b>	S (star knob)							
<b>Seals</b>	V (FPM) other seal materials on request							
	<p><b>Special design</b> 01 ... 99 (00 for standard)</p> <p><b>Part index</b> Please leave blank (small letters a-d; different letters do not effect interchangeability)</p> <p><b>Desing revision</b> Capital letters A-Z; identical letters mean equal connecting dimensions</p>							

**Product information**

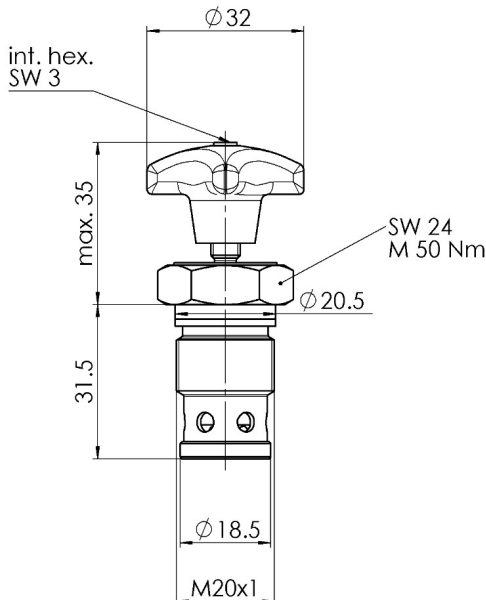
**Cartridge**

Type code	Part number
AVM-4E-X-S-V-A*00	3830763

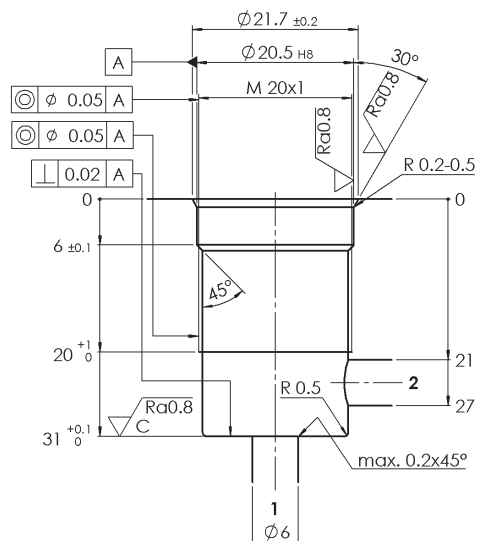
**Hydraulics schematics**



**Dimensional drawing**



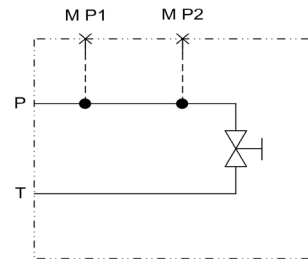
**Cavity drawing**



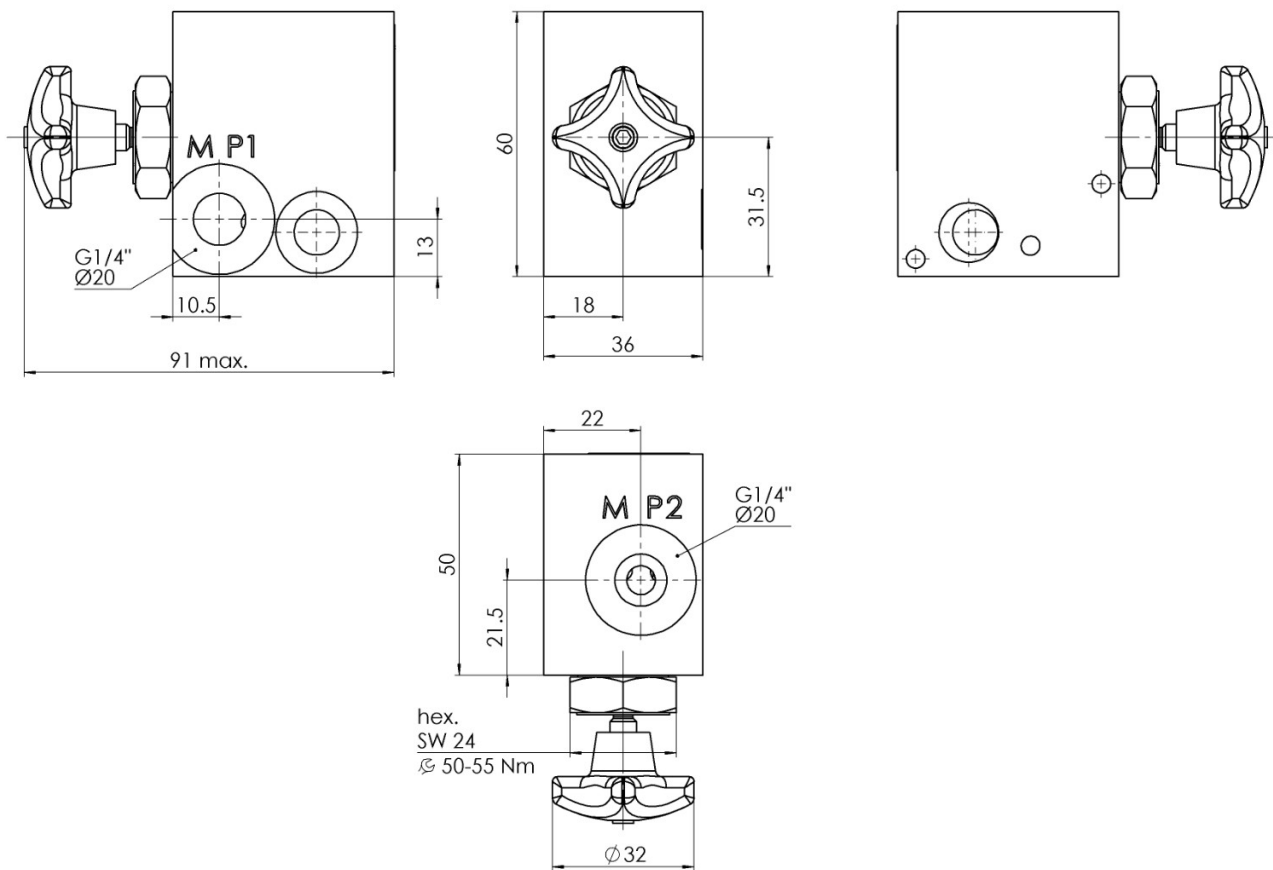
Endplate for valve bank

Type code	Part number
AVM-4B-EE-S-V-A*00	3830764

Hydraulics schematics



Dimensional drawing



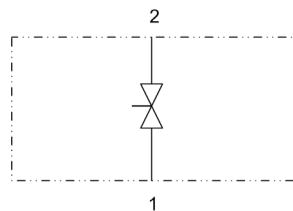
## Type AVM

NG 4  
up to 25 l/min

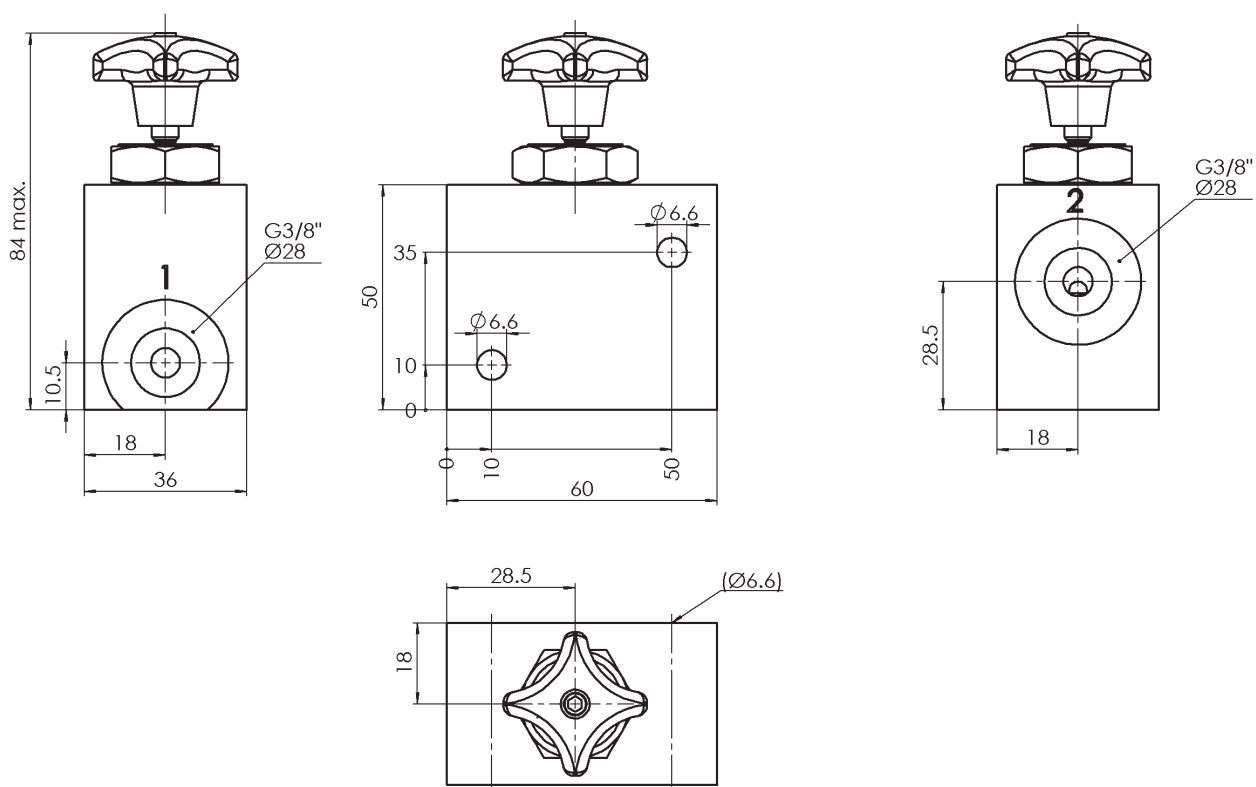
### In-line mounting manifold

Type code	Part number
AVM-4R-G3/8-S-V-A*00	3830775

### Hydraulics schematics



### Dimensional drawing



### Bieri Hydraulik AG

Könizstrasse 274  
CH-3097 Liebefeld  
Tel. +41 31 970 09 09 | Fax +41 31 970 09 10  
info@bierihydraulics.com | www.bierihydraulics.com

The information in this brochure relates to the operating conditions and applications described.

For applications and operating conditions not described, please contact the relevant technical department.

Subject to technical modifications.