

Shut-off valves

Type AV700

up to 700 bar

NG 6 up to 25 l/min

Features

- Safe operation
- Suitable for bi-directional flow
- Leak free
- Porting NG 6 according to DIN 24340



Design

- As cartridge
- As modular valve

Applications

Shut-off valves are used for manually opening and closing a channel.

They can also be used as drainage valves against the tank line. Shut-off valves are suitable for bidirectional flow.



Technical data

Hydraulic fluid	Mineral oil according to DIN 51524 (other fluids on request)
Fluid temperature range	- 20 to 80 °C
Ambient temperature range	- 30 to 50 °C
Viscosity range	5 to 400 mm ² /s
Porting	NG 6 according to DIN 24340 / ISO 4401 / CETOP RP 121 H
Max. operating pressure connection P, A, B	700 bar
Max. pressure admissible connection T	350 bar
Max. flow rate	25 l/min
Pressure drop at 25 l/min (Valve fully open)	15 bar
Filtration (recommendation)	According to NAS 1638, class 6 or ISO/DIN 4406 17/15/12
Weight	See dimensional drawings
Material / surface treatment	Steel parts: galvanized, black chromated Cartridge: steel Adjusting knob: cast iron

Type AV700

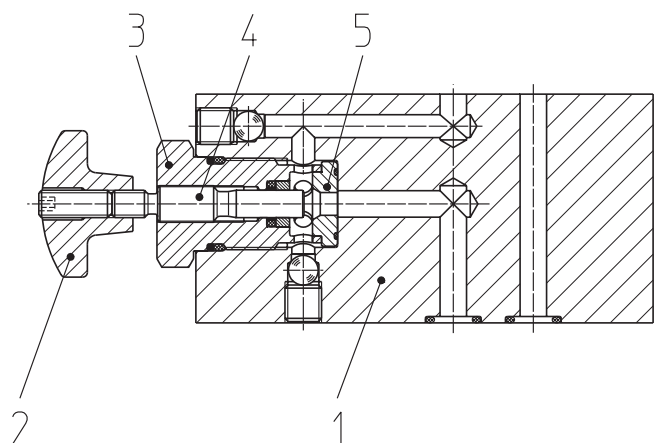
to 700 bar
NG 6 up to 25 l/min

Order code

Example	AV	700	-	6	-	E	-	700	-	S	-	V	-			00
Shut-off valves																
Type	BV700															
Port size	6															
Model	E (screw-in cartridge) PP (shut-off valve in P) AA (shut-off valve in A) AT (shut-off valve A to T) PT (shut-off valve P to T)															
Max. pressure	700 bar															
Cartridge model	S (star knob) K (locking handle)															
Seal material	V (FPM) other seal materials on request															
	Special design 01 ... 99 (00 for standard)															
	Part index Please leave blank (small letters a-d; different letters do not effect interchangability)															
	Desing revision Capital letters A-Z; identical letters equal same connecting dimensions															

Function and design

The shut-off valve comprises a cartridge and the valve body (1) in intermediate plate design. The cartridge consists of adjusting knob (2), spindle (4), seat (5) and cartridge (3). The spindle design allows easy adjustability even at high pressure. A hexagon opening in the adjusting knob allows more sensitive adjustment by means of an allen-key. If the spindle is fully screwed in, the relevant channel is closed and leak free.



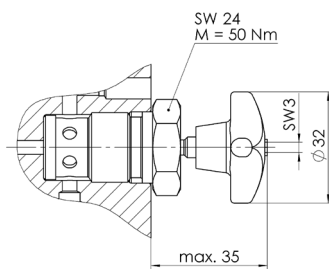
Product information

Screw-in cartridge with star knob, weight 0,12 kg

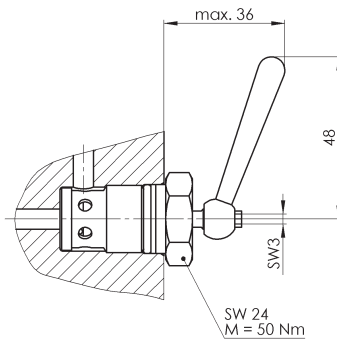
Type description	Seal material	Part no.
AV700-6-E-700-S-V-A*00	star knob	3678553
AV700-6-E-700-K-V-A*00	locking handle	4052128

Dimensional drawing

Screw-in cartridge with star knob



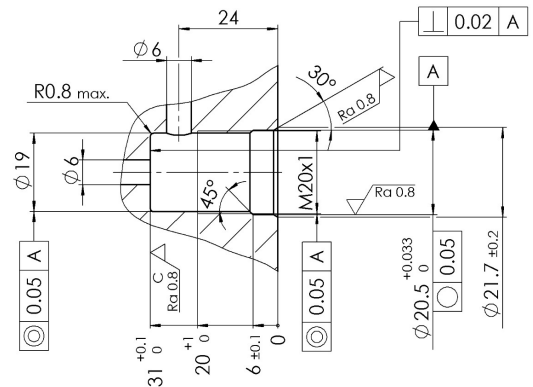
Screw-in cartridge with locking handle



Hydraulic schematics



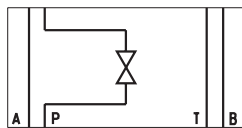
Bore dimensions



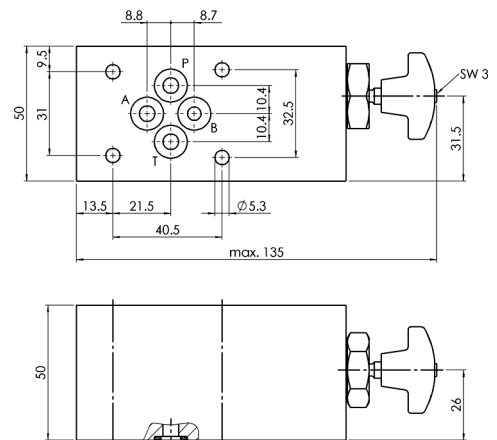
Shut-off valve in P

Type description	Seal material	Part no.
AV700-6-PP-700-S-V-A*00	star knob	3678565
AV700-6-PP-700-K-V-A*00	locking handle	4052131

Hydraulic schematics



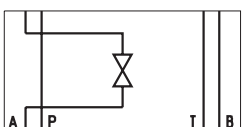
Dimensional drawing



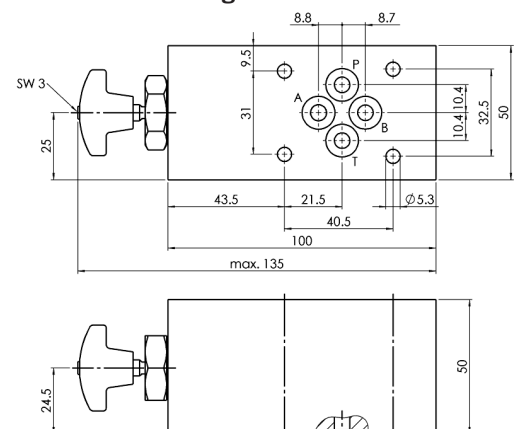
Shut-off valve in A

Type description	Seal material	Part no.
AV700-6-AA-700-S-V-A*00	star knob	3678548
AV700-6-AA-700-K-V-A*00	locking handle	4052132

Hydraulics schematics



Dimensional drawing



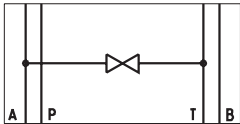
Type AV700

to 700 bar
NG 6 up to 25 l/min

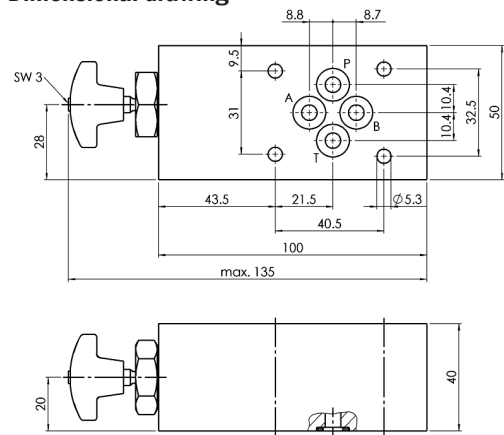
Shut-off valve A to T

Type description	Seal material	Part no.
AV700-6-AT-700-S-V-A*00	star knob	3678551
AV700-6-AT-700-K-V-A*00	locking handle	4052133

Hydraulic schematics



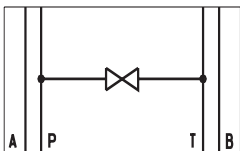
Dimensional drawing



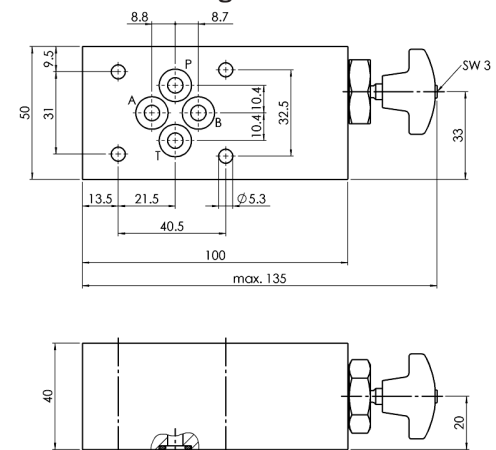
Shut-off valve P to T

Type description	Seal material	Part no.
AV700-6-PT-700-S-V-A*00	star knob	3678566
AV700-6-PT-700-K-V-A*00	locking handle	4052134

Hydraulic schematics



Dimensional drawing



Accessories

For each valve the following is included:
4 pieces O-rings 9,25 x 1,78 mm, 90° ShA

Tie bolts/fixing screws and subplates are optionally available,
see technical data sheet AP700/RP700/EP700

Bieri Hydraulik AG

Könizstrasse 274
CH-3097 Liebefeld
Tel. +41 31 970 09 09 | Fax +41 31 970 09 10
info@bierihydraulics.com | www.bierihydraulics.com

The information in this brochure relates to the operating conditions and applications described.

For applications and operating conditions not described, please contact the relevant technical department.

Subject to technical modifications.