

Pressure reducing valves

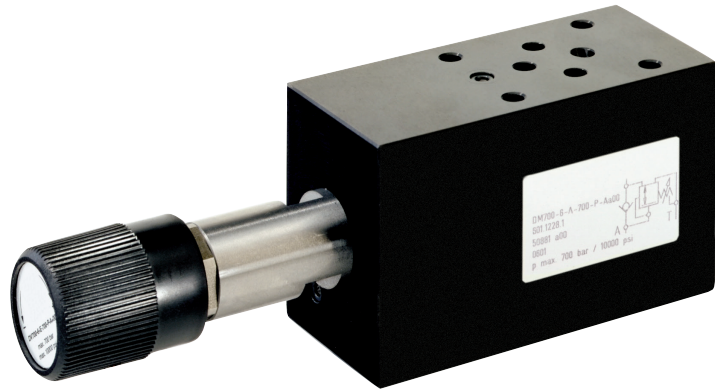
Type DM700

up to 700 bar

NG 6 up to 25 l/min

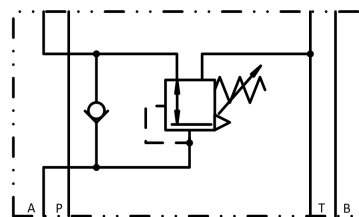
Features

- Direct operated valves
- Poppet type valves in sandwich mounting execution
- Porting NG 6 according to DIN 24340
- Max. pressure limitation in reduced pressure side
- This valve is atmospheric balanced. The pressure regulation occur compared to the ambient



Applications

Used in hydraulic systems, where beside the nominal pressure a reduced pressure for a second user is needed.



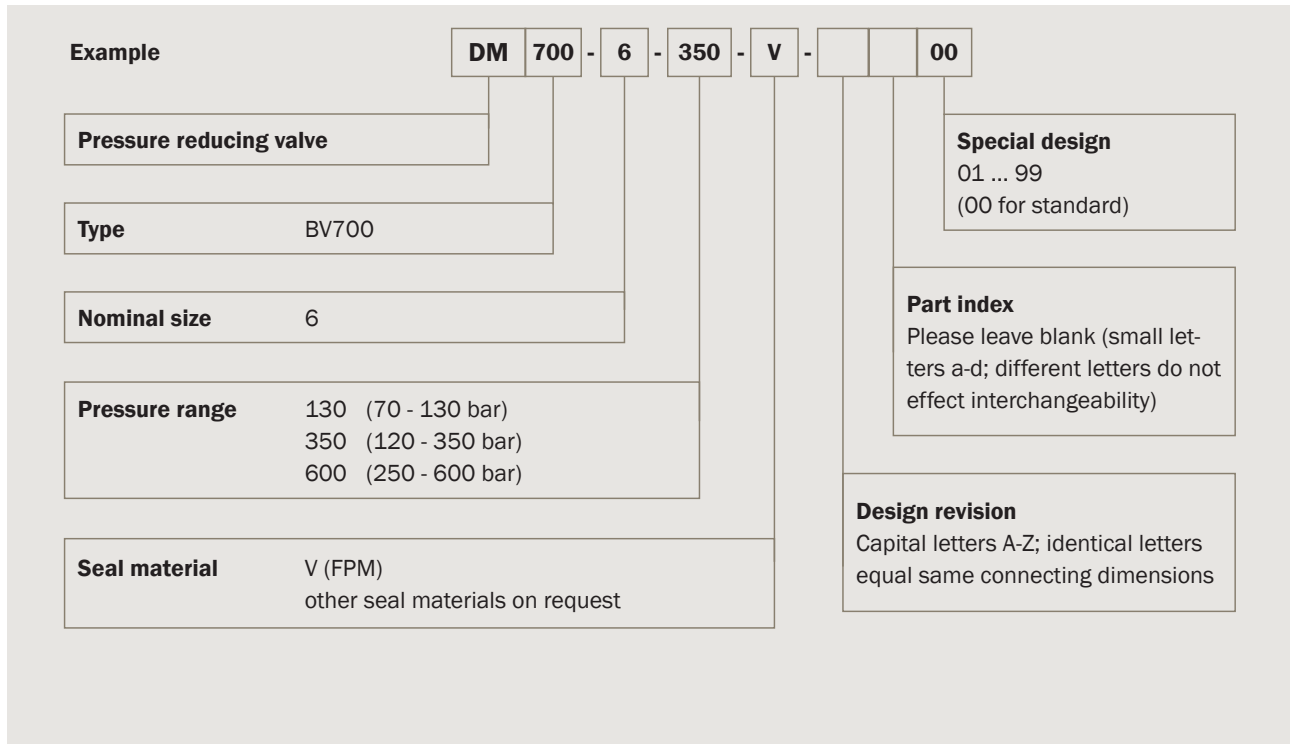
Technical data

Hydraulic fluid	mineral oil according to DIN 51524 (other fluids on request)	
Fluid temperature range	- 20 bis 80 °C	
Ambient temperature range	- 30 to 50 °C	
Viscosity range	5 to 400 mm ² /s	
Porting	NG 6 according to DIN 24340/ISO 4401/CETOP RP 121 H	
Max. operating pressure connection P, A, B	700 bar	
Max. pressure admissible connection T	350 bar	
Reduced pressure range	70 bar – 600 bar	
Hysteresis	up to 20% of reduced pressure	
Max. pressure limitation in reduced pressure side	15% over reduced pressure	
Max. flow rate	25 l/min	
Filtration (recommendation)	according to NAS 1638, class 6 or ISO/DIN 4406 17/15/12	
Weight	2.3 kg	
Material/ surface treatment	housing	steel, galvanized, black chromated
	cartridge	steel corrosion resistant
	adjusting knob	plastic

Type DM700

to 700 bar
NG 6 up to 25 l/min

Ordering code

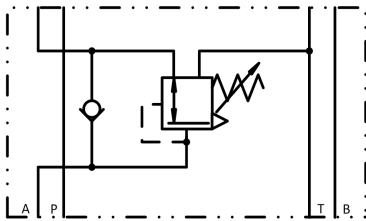


Product information

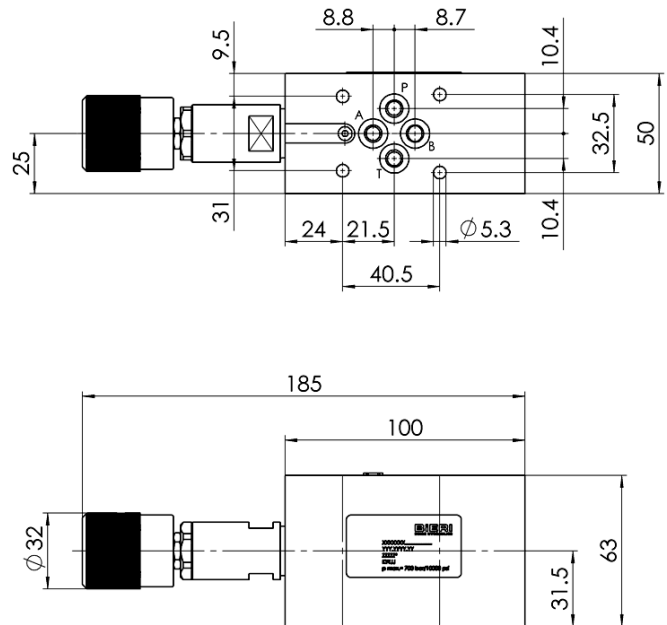
Pressure reducing valves in A

Type	Pressure range	Part no.
DM700-6-A-130-V-A*00	070 - 130 bar	3682405
DM700-6-A-350-V-A*00	120 - 350 bar	3682407
DM700-6-A-600-V-A*00	250 - 600 bar	3682408

Symbol



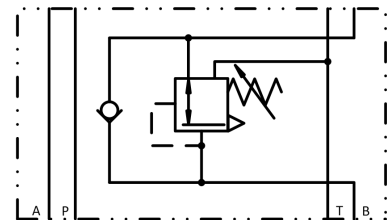
Dimensional drawing



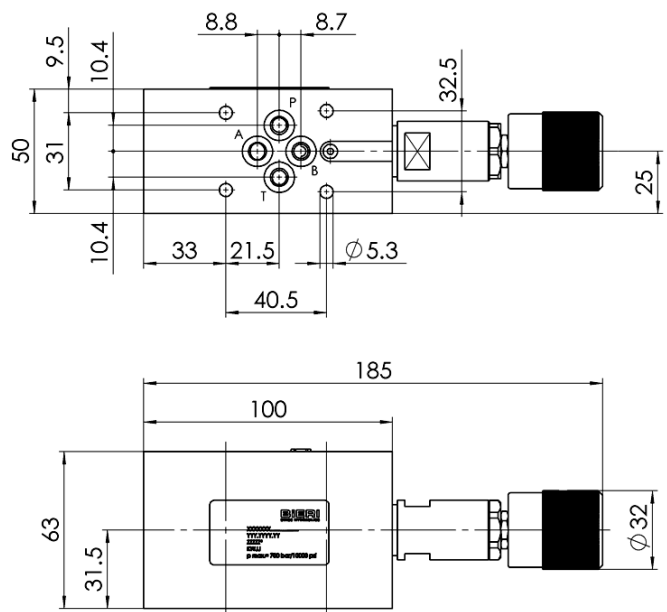
Pressure reducing valves in B

Type	Pressure range	Part no.
DM700-6-B-130-V-A*00	070 - 130 bar	3682410
DM700-6-B-350-V-A*00	120 - 350 bar	3682413
DM700-6-B-600-V-A*00	250 - 600 bar	3682435

Symbol



Dimensional drawing



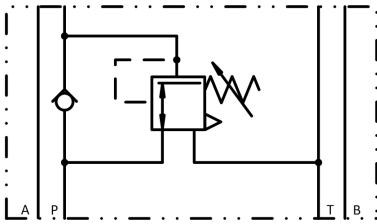
Type DM700

to 700 bar
NG 6 up to 25 l/min

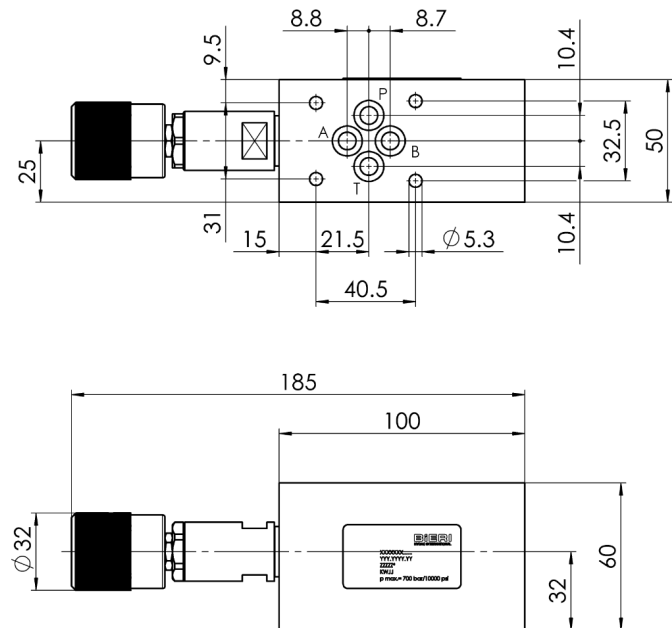
Pressure reducing valves in P

Type	Pressure range	Part no.
DM700-6-P-130-V-A*00	070 – 130 bar	3741391
DM700-6-P-350-V-A*00	120 – 350 bar	3741407
DM700-6-P-600-V-A*00	250 – 600 bar	3741409

Symbol



Dimensional drawing



Accessories

For each valve the following is included:
4 pieces O-rings 9,25 x 1,78 mm 90° ShA
1 Adjusting knob mounted
1 Cap in addition

Tie bolts / fixing screws and subplates
see technical data sheet AP700/RP700/EP700!

Bieri Hydraulik AG

Könizstrasse 274
CH-3097 Liebefeld
Tel. +41 31 970 09 09 | Fax +41 31 970 09 10
info@bierihydraulics.com | www.bierihydraulics.com
4/4

The information in this brochure relates to the operating conditions and applications described.

For applications and operating conditions not described, please contact the relevant technical department.

Subject to technical modifications.

DM700_1806