

# Manual spool valve

## Type HSV700

NG 6

up to 25 l/min, up to 700 bar

### Features

- Slide shoe type directional seated valve
- Robust lever actuation
- Detent
- Virtually leakagefree
- Safe load holding
- Low susceptibility to dirt
- Low weight



### Applications

- Portable, weight-optimized aggregates
- Test benches

### Design

- Pressure-supported sealing discs for safe load holding and optimum sealing
- Roller bearing lever for uniform actuating force
- Adapter plate for NG6-ISO (CETOP) connection surfaces available
- Flange or threaded version

### Technical data

Hydraulic fluid	Mineral oil according to DIN 51524 (other fluids on request)
Fluid temperature range	-20 to 80 °C
Ambient temperature range	-30 to 50 °C
Viscosity range	5 to 400 mm <sup>2</sup> /s
Porting	NG 6
Max. operating pressure connection P,A, B	700 bar
Max. operating pressure connection T	70 bar
Max. flow rate	25 l/min
Filtration (recommendation)	According to NAS 1638 class 6 resp. ISO/DIN 4406 17/15/12
Connection types	In-line mounting: 3/8"-NPT Manifold assembly: NG 6 acc. to Bieri drilling pattern S Adapter plate: NG 6 acc. to DIN 24340 / ISO 4401 / CETOP RP 121 H
Weight	In-line mounting: 1.4 kg Manifold assembly: 1 kg
Material	Body: anodised aluminum Lever: plastic Adapter plate: steel

**Type HSV700**

NG 6  
up to 25 l/min, up to 700 bar

**Ordering code**

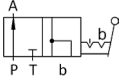
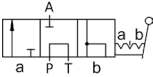
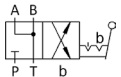

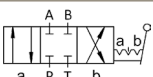
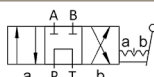
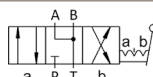
<b>Example</b>	<b>HSV700 - 6R - 3 / 2 - U - HR - V - A - 00</b>
<b>Manual spool valve</b>	
<b>Size</b>	700 bar
<b>Nominal size</b>	6 ...
<b>Connection in-line mounting</b>	... R
<b>Connection manifold assembly</b>	... S
<b>Number of ports</b>	3 or 4
<b>Number of positions</b>	2 or 3
<b>Switching function</b>	see standard design
<b>Actuation type</b>	HR manual lever / detent
<b>Seal material</b>	V FKM other seal materials on request

**Special design**  
01 ... 99  
(00 for standard)

**Part index**  
Please leave blank  
For internal purposes

**Design revision**  
For internal purposes

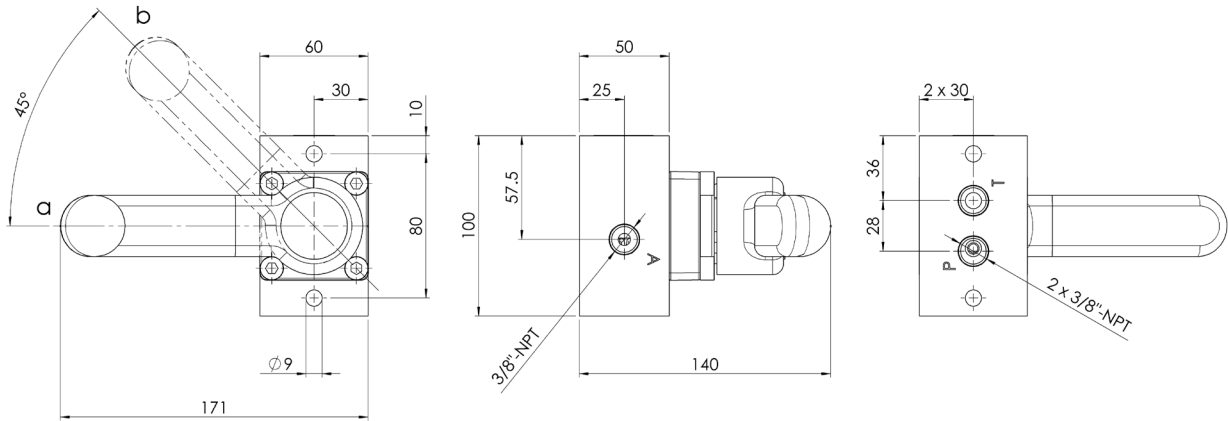
**Standard design**

<b>Valve type</b>	<b>3/2</b>	<b>3/3</b>		
<b>Switching function</b>	<b>Q</b>	<b>G</b>		
Part No. Connection R	3685070	3685304		
Part No. Connection S	on request!	3685072		
Symbol				
<b>Valve type</b>	<b>4/2</b>			
<b>Switching function</b>	<b>J</b>			
Part No. Connection R	3685324			
Part No. Connection S	3685317			
Symbol				
<b>Valve type</b>	<b>4/3</b>			
<b>Switching function</b>	<b>H</b>	<b>E</b>	<b>U</b>	<b>J</b>
Part No. Connection R	3686025	3685352	3686067	3686033
Part No. Connection S	3685355	3685346	3686034	3686029
Symbol				

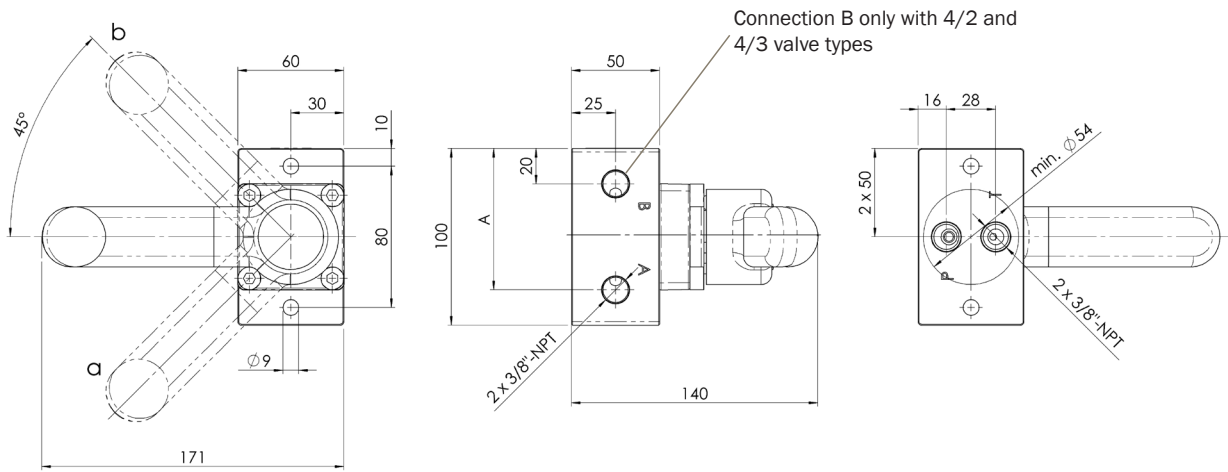
## Dimensional drawings

### In-line mounting (R)

3/2-Q valve type



3/3, 4/2 and 4/3 valve type

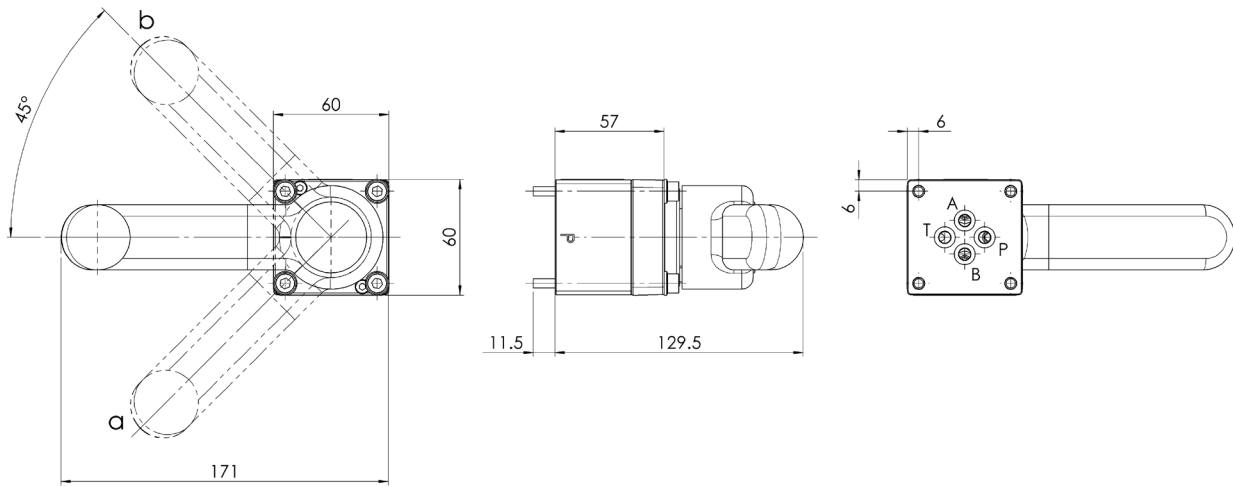


Valve type	Dim. A [mm]
3/3	67.5
4/2	80
4/3	80

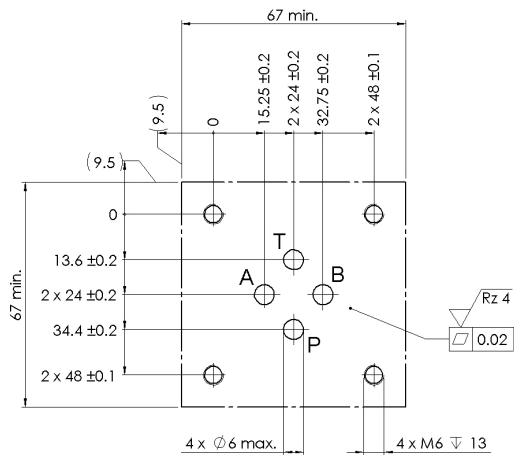
Type HSV700

NG 6  
up to 25 l/min, up to 700 bar

Manifold assembly (S)



Drilling pattern manifold assembly

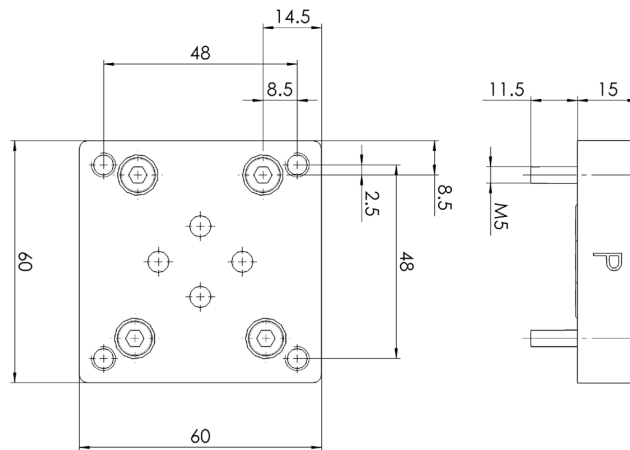


## Adapter plate

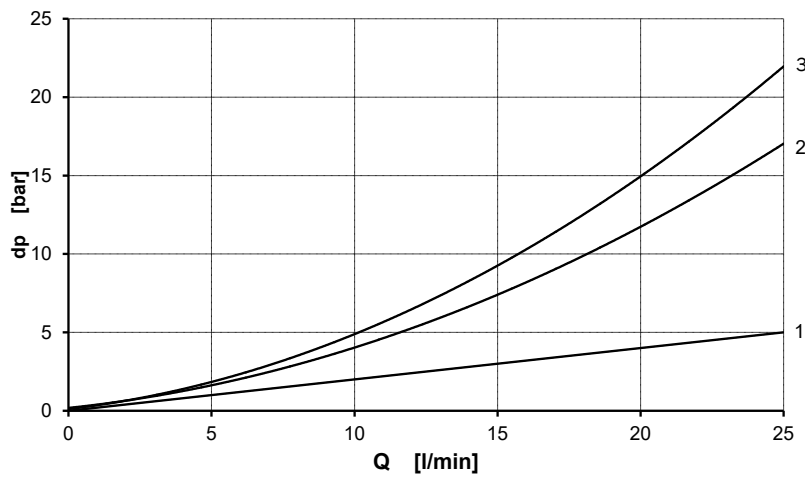
Item description	Weight	Part No.
HSV700 Intermediate plate CETOP FKM	0.4 kg	3999484

It is supplied with four M5 screws and the necessary seals (FKM).

## Dimensional drawing



## Pressure drop



Valve type	Switching function	a		b		0 (+)						
		P-A	B-T	P-B	A-T	P-A	P-A	B-T	P-B	A-T	P-T	
3/2	Q				3	3	1					
3/3	G	3					3			3	2	
4/2	J			3	3			3		3		
4/3	H	3	3	3	3		3	3	3	3		
4/3	E	3	3	3	3							
4/3	U	3	3	3	3							2
4/3	J	3	3	3	3			3		3		

Type HSV700

NG 6  
up to 25 l/min, up to 700 bar

## Spare parts

Part description	Part No.
4 x O-Ring 7,65X 1,78, FKM	4003082
4 x Socket head screw ISO 4762-M5 x 20-12.9	4484492
4 x Socket head screw ISO 4762-M6 x 70-12.9	4484494

**Bieri Hydraulik AG**  
Könizstrasse 274  
CH-3097 Liebefeld  
Tel. +41 31 970 09 09 | Fax +41 31 970 09 10  
info@bierihydraulics.com | www.bierihydraulics.com

The information in this brochure relates to the operating conditions and applications described.  
For applications and operating conditions not described, please contact the relevant technical department.  
Subject to technical modifications.