

Intermediate plates / Throttle / Check valve

**Type ZP700 / BL700 /
RV700**
NG 6 up to 25 l/min

Features

- Intermediate plates for the installation of orifices and check valves
- Intermediate plates with threaded connections for measuring instruments



Applications

- as subplate
- as check valve
- for orifices
- tower-type interlinkage

Technical data

Hydraulic fluid	Mineral oil according to DIN 51524 (other fluids on request)
Fluid temperature range	- 20 bis 80 °C
Ambient temperature range	- 30 to 50 °C
Viscosity range	5 to 400 mm ² /s
Porting	NG 6 according to DIN 24340/ISO 4401/CETOP RP 121 H
Max. operating pressure connection P, A, B	700 bar
Max. operating pressure connection T	350 bar
Max. flow rate	25 l/min
Filtration (recommendation)	According to NAS 1638, class 6 or ISO/DIN 4406 17/15/12
Weight	See dimensional drawings
Material/surface treatment	Steel: galvanized, black chromated

Order code

Example	ZP		700	-	6	-	PA	-	G1/2	-	V	-			00
Intermediate plate	ZP														
Type	BV700														
Port size	6														
Threaded connection	PA	P and A													
	PB	P and B													
	AB	A and B													
	X	No connection													
Thread	G1/4	G 1/4"-connection													
	G1/2	G 1/2"-connection													
	X	No external connection													
Seal material	V	[FPM]	other seal material on request												
<p>Special design 01 ... 99 (00 for standard)</p> <p>Part index Please leave blank (small letters a-d; different letters do not effect interchangeability)</p> <p>Desing revision Capital letters A-Z; identical letters equal same connecting dimensions</p>															

Example	BL		700	-	6	-	D8	-	0.4	-			00		
Orifice	BL														
Type	BV700														
Port size	6														
Outside diameter	D8	(Diameter 8mm)													
Orifice diameter	see table (page 4)														
<p>Special design 01 ... 99 (00 for standard)</p> <p>Part index Please leave blank (small letters a-d; different letters do not effect interchangeability)</p>															

Example **RV** **700** - **6** - **D8** - **V** - **00**

Check valve	RV
Type	BV700
Port size	6
Outside diameter	D8 (Diameter 8mm)
Seal material	V [FPM] other seal material on request

Special design
01 ... 99
(00 for standard)

Part index
Please leave blank (small letters a-d; different letters do not effect interchangeability)

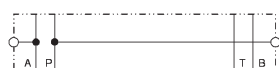
Product information intermediate plate

Type	Threaded connections	Thread ["]	Weight ca. [kg]	Part No.
ZP700-6-PA-G1/4-V-A*00	P and A	G 1/4	1,3	4053275
ZP700-6-PA-G1/2-V-A*00	P and A	G 1/2	1,3	3678757
ZP700-6-PB-G1/4-V-A*00	P and B	G 1/4	1,3	4053482
ZP700-6-PB-G1/2-V-A*00	P and B	G 1/2	1,3	4053276
ZP700-6-AB-G1/4-V-A*00	A and B	G 1/4	1,3	4053281
ZP700-6-AB-G1/2-V-A*00	A and B	G 1/2	1,3	4053282
ZP700-6-X-X-V-A*00	No connections	No thread	0,5	3678759

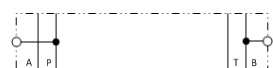
Note: For each plate in the delivery included are 4 pcs. O-Ring, D9.25xd1.78, 90° ShA

Hydraulic schematics

P and A



P and B



A and B

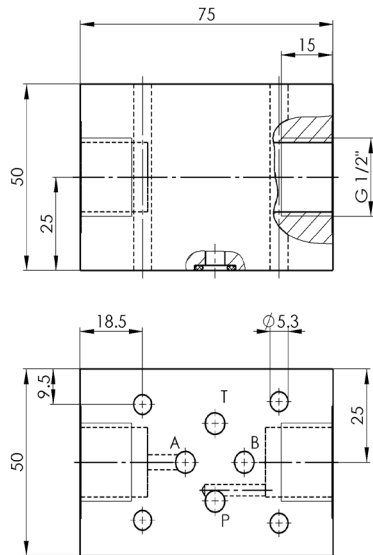


No connections

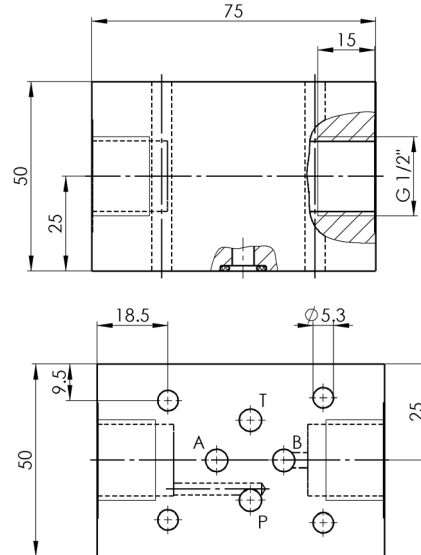


Dimensional drawings / Design revision A

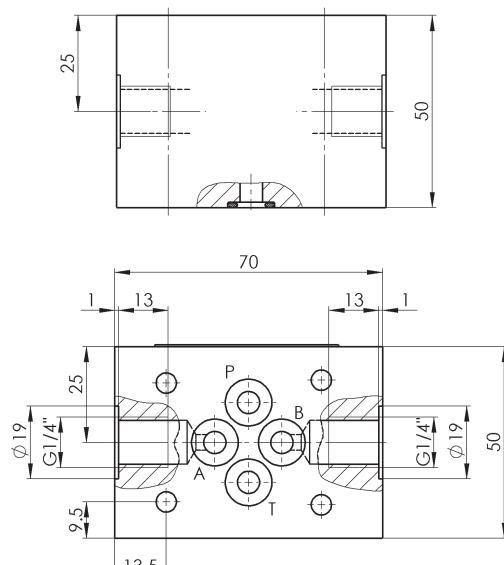
P and A



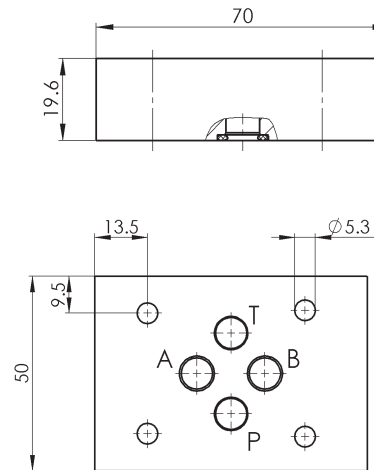
P and B



A and B

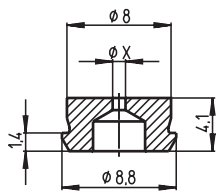
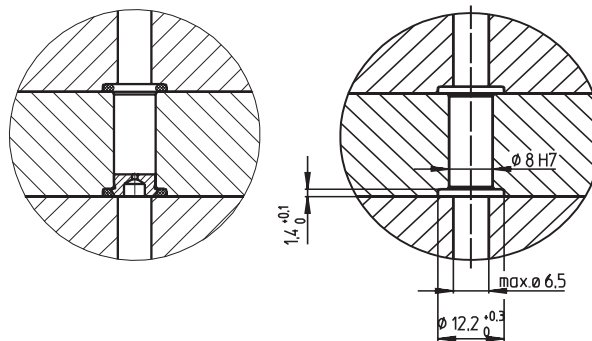


No connections



Product information throttles/check valve**Throttles (only for intermediate plate without connections)**

Type	$\varnothing X$ [mm]	Part No.	Type	$\varnothing X$ [mm]	Part No.
BL700-6-D8-0.4*00	0,4	3687933	BL700-6-D8-1.3*00	1,3	3687964
BL700-6-D8-0.5*00	0,5	3687934	BL700-6-D8-1.4*00	1,4	3656890
BL700-6-D8-0.6*00	0,6	3687955	BL700-6-D8-1.5*00	1,5	3687965
BL700-6-D8-0.7*00	0,7	3687956	BL700-6-D8-1.6*00	1,6	3687966
BL700-6-D8-0.8*00	0,8	3687958	BL700-6-D8-1.7*00	1,7	3687967
BL700-6-D8-0.9*00	0,9	3687960	BL700-6-D8-1.8*00	1,8	3687968
BL700-6-D8-1.0*00	1,0	3687961	BL700-6-D8-1.9*00	1,9	3687969
BL700-6-D8-1.1*00	1,1	3687962	BL700-6-D8-2.0*00	2,0	3687970
BL700-6-D8-1.2*00	1,2	3687963			

Dimensional drawing**Mounting drawing**

Product information check valve

Check valve (only for intermediate plate without connections)

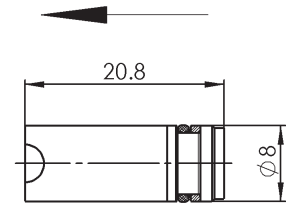
Type	Part No.
RV700-6-D8-V-A*00	3685929

Δp by 25 l/min approx. 6 bar

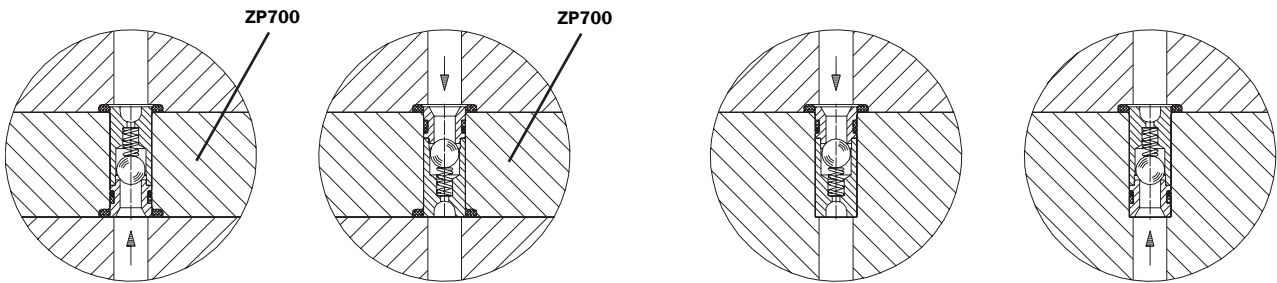
Hydraulic schematics



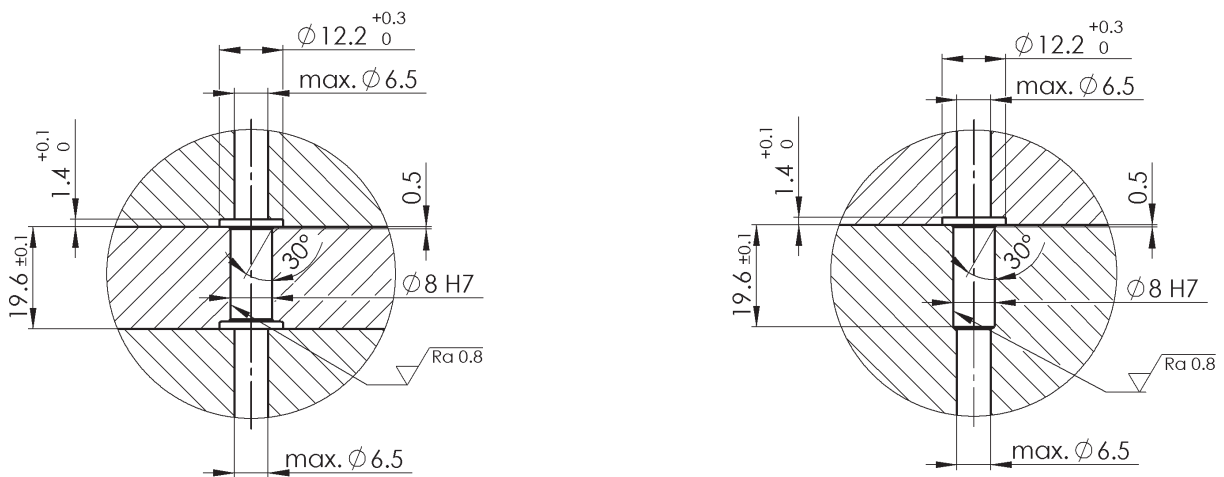
Dimensional drawing



Mounting possibilities



Carity drawing



Mountingtool set RV700: 4409844